

**LG Programmable Logic Controller
Digital to Analog Conversion Module
G7F-DA2I**



- When using LGIS equipment, thoroughly read this datasheet and associated manuals introduced in this datasheet. Also pay careful attention to safety and handle the module properly.
- Store this datasheet in a safe place so that you can take it out and read it whenever necessary.

◦ Safety Precautions

- ▶ Safety Precautions is for using the product safe and correct in order to prevent the accidents and danger, so please go by them.
- ▶ The precautions explained here only apply to the G7F-DA2I unit. For safety precautions on the PLC system, refer to the MASTER-K120S User's manual.
- ▶ The precautions are divided into 2 sections, 'Warning' and 'Caution'. Each of the meanings is represented as follows.

⚠ Warning If violated instructions, it can cause death, fatal injury or considerable loss of property.

⚠ Caution If violated instructions, it can cause a slight injury or slight loss of products

- ▶ The symbols which are indicated in the PLC and User's Manual mean as follows
- ⚠ This symbol means paying attention because of danger of injury, fire, or malfunction.
- ⚡ This symbol means paying attention because of danger of electrical shock.
- ▶ Store this datasheet in a safe place so that you can take it out and read it whenever necessary. Always forward it to the end user.

⚠ Warning

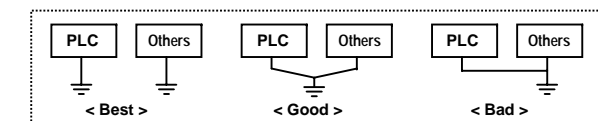
- ▶ Do not contact the terminals while the power is applied.
Risk of electric shock and malfunction
- ▶ Protect the product from being gone into by foreign metallic matter.
Risk of fire, electric shock and malfunction.

⚠ Caution

- ▶ Be sure to check the rated voltage and terminal arrangement for the module before wiring work.
Risk of electric shock, fire and malfunction
- ▶ Tighten the screw of terminal block with the specified torque range.
If the terminal screw looses, it can cause fire and electric shock.
- ▶ Use the PLC in an environment that meets the general specifications contained in this datasheet.
Risk of electrical shock, fire, erroneous operation and deterioration of the PLC.
- ▶ Be sure that external load does not exceed the rating of output module.
Risk of fire and erroneous operation.
- ▶ Do not use the PLC in the environment of direct vibration
Risk of electrical shock, fire and erroneous operation.
- ▶ Do not disassemble, repair or modify the PLC.
Risk of electrical shock, fire and erroneous operation.
- ▶ When disposing of PLC and battery, treat it as industrial waste.
Risk of poisonous pollution or explosion.

◦ Precautions for use

- ▶ Do not Install other places except PLC controlled place.
- ▶ Make sure that the FG terminal is grounded with class 3 grounding which is dedicated to the PLC. Otherwise, it can cause disorder or malfunction of PLC



- ▶ Connect expansion connector correctly when expansion module are needed,
- ▶ Do not detach PCB from the case of the module and do not modify the module.
- ▶ Turn off power when attaching or detaching module.
- ▶ Cellular phone or walkie-talkie should be farther than 30cm from the PLC
- ▶ Input signal and communication line should be farther than minimum 100mm from a high-tension line and a power line in order not to be affected by noise and magnetic field.

◦ Before handling the product

Before using the product, read the datasheet and the User's manual through to the end carefully in order to use the product efficiently.

Materials for MASTER-K

Name	Code
KGL-WIN (Programming software)	10310000345
MASTER-K (Instruction & Programming)	10310000346
MASTER-K120S User's manual	10310000272

When using the G7F-DA2I module, Be sure to check KLD-150S version. V4.3/ KGL-WIN V3.4

1. Introduction

The G7F-DA2I is digital/analog conversion module for use with the MASTER-K120S series CPU module. The D/A conversion module is to convert a 12-bit signed binary digital value to an analog output signal(Current).

2. General specification

No	Item	Specifications	Standard		
1	Operating temperature	0 ~ 55 ℃			
2	Storage temperature	-25 ~ 75 ℃			
3	Operating Humidity	5 ~ 95%RH, non-condensing			
4	Storage humidity	5 ~ 95%RH, non-condensing			
5	Vibration	Occasional vibration		IEC 61131-2	
		Frequency	Acceleration		Amplitude
		10 ≤ f < 57 Hz	-		0.075 mm
		57 ≤ f ≤ 150 Hz	9.8ms ² (1G)		-
		Continuous vibration			10 times in each direction for X, Y, Z
		Frequency	Acceleration		
10 ≤ f < 57 Hz	-	0.035 mm			
57 ≤ f ≤ 150 Hz	4.9ms ² (0.5G)	-			
6	Shocks	*Maximum shock acceleration: 147ms ² (15G) *Duration time :11 ms *Pulse wave:half sine wave pulse(3 times in each of X, Y and Z directions)	IEC 61131-2		
7	Noise immunity	Square wave impulse noise	± 1,500 V	LGIS Standard	
		Electrostatic discharge	Voltage :4kV(contact discharge)	IEC 61131-2 IEC 1000-4-2	
		Radiated electromagnetic field	27 ~ 500 MHz, 10 V/m	IEC 61131-2 IEC 1000-4-3	
		Fast transient & burst noise	Severity Level All power modules Digital I/Os (Ue ≥ 24 V) Digital I/Os (Ue < 24 V) Analog I/Os communication I/Os	IEC 61131-2 IEC 1000-4-4	
8	Atmosphere	Free from corrosive gases and excessive dust			
9	Altitude for use	Up to 2,000m			
10	Pollution degree	2 or lower			
11	Cooling method	Self-cooling			

3. Performance Specification

Item	Specification
Output Range	DC0 ~ 20mA(External load resistance 510Ω) DC4 ~ 20mA(External load resistance 510Ω) Classified by parameter
Digital input	12bit signed binary(-48 ~ 4047)
No. of Channel	4Channel
Absolute max. Output	DC +24mA
Max. resolution	DC 0 ~ 20mA : 5μA (1/4000) DC 4 ~ 20mA : 6.25μA (1/4000)
Accuracy	± 0.5% (Full Scale)
Max. conversion speed	500us + scan time
Isolation	Photo coupler insulation between I/O terminals and PLC power supply (No isolation between channels)
Connect terminals	16 Points 1 terminals
Internal current Consumption	20mA
External power supply	DC21.6 ~ 26.4V, 80mA
Weight(g)	280g

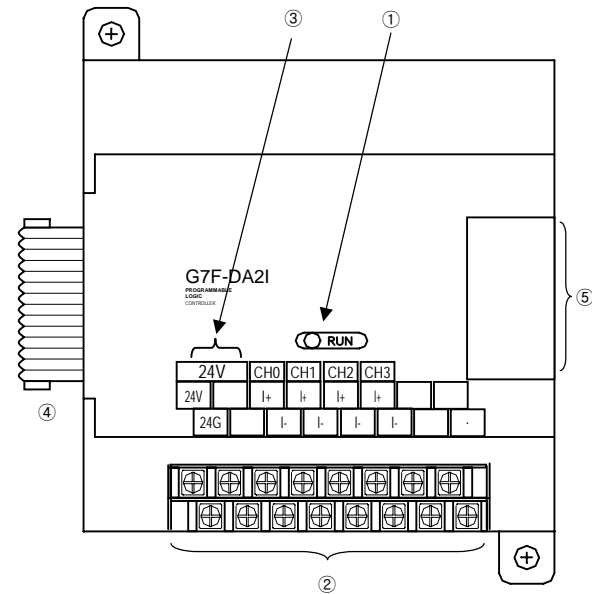
Remark

1) Offset/gain value can't be changed, it is fixed.
2) Extend to use max.3 Modules: MASTER-K120S Series

- Head Office
LG Twin Towers East Bldg. 9th Floor, 20, Yoido-Dong Youngdungpo-Gu, Seoul 150-721, KOREA
- Domestic Sales Team
PLC sales team TEL:+82-2-3777-4620~34 FAX:+82-2-3777-4622
Busan sales team TEL:+82-51-310-6855~60 FAX:+82-51-310-6851
Daegu sales team TEL:+82-53-603-7740~5 FAX:+82-53-603-7788
Gangju sales team TEL:+82-62-510-1885~91 FAX:+82-62-526-3262
Daejeon sales team TEL:+82-42-820-4240~2 FAX:+82-42-820-4298
- Overseas Sales Team
PLC sales team TEL:+82-2-3777-4640~7 FAX:+82-2-3777-4648~9
- Web site
<http://www.lgis.co.kr> (Korean)
<http://www.lgis.com> (English)
- Overseas Branches
USA New Jersey Branch +1-201-816-2985
China Beijing Branch +86-10-6462-3254~9
Shanghai Branch +86-21-6278-4370
Guangzhou Branch +86-20-8755-3429
Japan Tokyo Branch +81-3-3582-9128
Vietnam Hanoi Branch +84-4-882-0222

LG constantly endeavors to improve our products so that information in this datasheet is subjected to change without notice.

4. Names of parts and functions



No.	Contents
①	RUN LED ▶ Indicate the operating status the G7F-DA21
②	Analog output terminal ▶ Current Output
③	External power input terminal ▶ Terminal supplies 24VDC.
④	Extension cable ▶ This cable is used to connect while analog mixture module is used
⑤	Extension cable connector ▶ The connector connects extension cable when extended module is used.

5. Special data register

Special data register	Explanation	remark
D4980	CH0 D/A conversion value set	Expansion D/A module #1
D4981	CH1 D/A conversion value set	
D4982	CH2 D/A conversion value set	
D4983	CH3 D/A conversion value set	
D4984	CH0 D/A conversion value set	Expansion D/A module #2
D4985	CH1 D/A conversion value set	
D4986	CH2 D/A conversion value set	
D4987	CH3 D/A conversion value set	
D4988	CH0 D/A conversion value set	Expansion D/A module #3
D4989	CH1 D/A conversion value set	
D4990	CH2 D/A conversion value set	
D4991	CH3 D/A conversion value set	

Remark

Select input range of current in analog parameter items in KGL-WIN and then download it to the main unit.

6. Handling Precautions

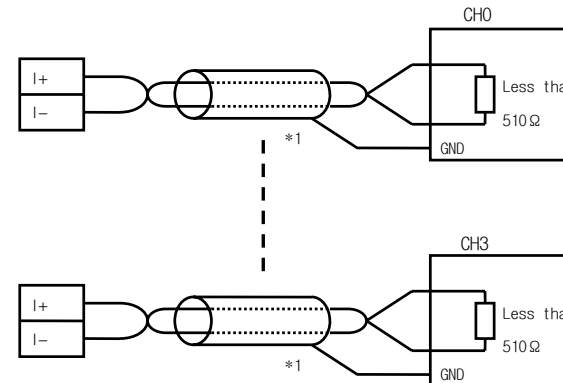
- Do not drop or impact the product.
- Do not detach PCB from the case, it may cause malfunction.
- During wiring or other work, do not allow any wire chips get inside the product.
- Switch the external power off before mounting or removing the module and the cable.

7. Wiring

7.1 Caution for wiring

- Separate AC and output signal of D/A conversion module wiring not to be affected by surge or induced noise of the AC.
- External wiring has to be at least AWG22(0.3 mm²) and be selected in consideration of operating ambience and/or allowable current.
- Separate wiring from devices and/or substances generating intense heat, and oil not to make short-circuit which leads to damage and/or mis-operation.
- Identify the polarity of terminal block before external power supply is made connected.
- Separate external wiring sufficiently from high voltage and power supply cable not to cause induced failure and/or malfunction.

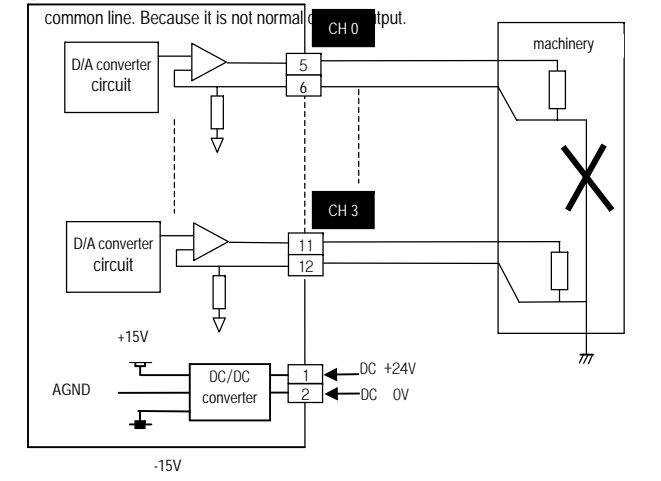
7.2 Wiring



*1 For the cable, use a two-core twisted shielded wire.

Remark

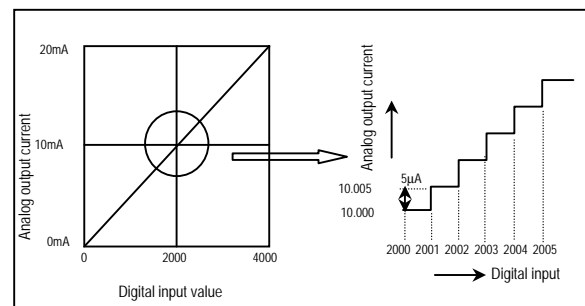
▶ Current output module(G7F-DA21) cannot be connected with device which is grounded with



9. I/O conversion characteristics

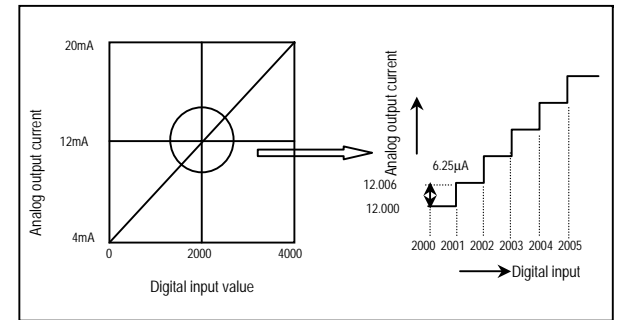
9.1 Analog Output characteristics

1) Current Output(0~20mA)



In current output, digital amount 0 exchanges to 0mA, and 4,000 does 20mA. Analog amount of digital input 1 equals to 5 µA.

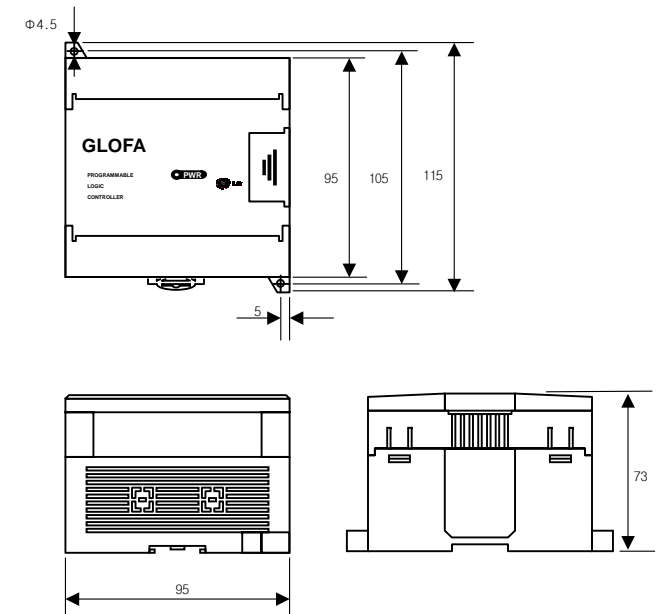
2) Current Output (4~20mA)



In current output, digital amount 0 exchanges to 4mA, and 4,000 does 20mA. Analog amount of digital input 1 equals to 6.25 µA.

10. External Dimension

(Unit : mm)



11. Warranty

1. Warranty period

LGIS provides an 18-month-warranty from the date of the production.

2. Warranty conditions

For troubles within the warranty period, LGIS will replace the entire PLC or repair the troubled parts free of charge except the following cases.

- The troubles caused by improper condition, environment or treatment except the instructions of LGIS.
- The troubles caused by external devices.
- The troubles caused by remodeling or repairing based on the user's own discretion.
- The troubles caused by improper usage of the product.
- The troubles caused by the reason which exceeded the expectation from science and technology level when LGIS manufactured the product.
- The troubles caused by natural disaster.

3. This warranty is limited to the PLC itself only. It is not valid for the whole system which the PLC is attached to.